



### Dickschicht Leistungswiderstände

PR10x 100W bei 100°C

PR25x 250W bei 100°C

**PR600 600W bei 85°C** **NEU**

Verlängerte Kriechwege möglich



### Metall-Folien Leistungswiderstände

PR250M 250W bei 100°C

PR500M 500W bei 70°C



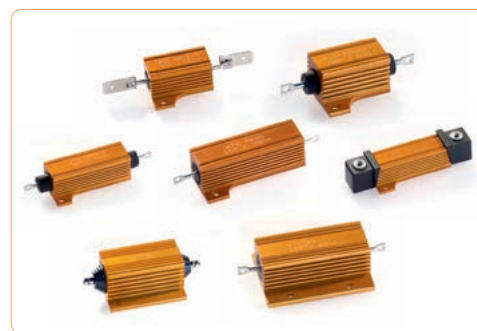
### Drahtwiderstände

CS – axial 2W bis 15W

RB – Alugehäuse 12W bis 250W

SR – Symmetrierer und Entladewiderstände

Spezialversionen: Sicherung, impulsfest, niedrig-induktiv,  
Sonderanschlüsse



**NEU**

**PR600**  
THICK FILM POWER RESISTOR

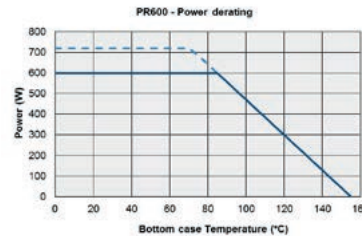
Page 1 of 1

Very good ratio Power / Volume  
Easy mounting and wiring with significant cost advantages.  
Non inductive performance for high frequency applications.  
One model for power applications up to 720W  
Materials are ULV94-V0 listed

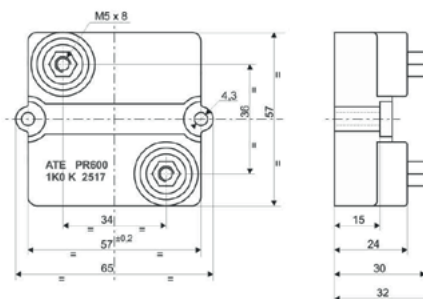


**SPECIFICATIONS**

<b>Power rating:</b>	600W @ 85°C Bottom case Temperature For power greater than 600W please consult Technical Dept.
<b>Resistance Range:</b>	from 1R0 to 1M0
<b>Resistance Values:</b>	E12 series For out of range or not std. values, please contact ATE Electronics Technical Dept.
<b>Tolerance:</b>	Standard ±10%. Available on request up to ±1%
<b>Temperature coefficient:</b>	±150ppm/°C
<b>Work Temperature Range:</b>	from -55°C to +155°C
<b>Max Working Voltage:</b>	5kV, $V = \sqrt{P \times R}$
<b>Dielectric strength:</b>	7kVac x 60" (12kVac on request)
<b>Insulation resistance:</b>	> 10 <sup>5</sup> MOhm at 500V
<b>Creep distance:</b>	42mm
<b>Air Gap distance:</b>	16mm
<b>Partial Discharge:</b>	< 10pC @ 5kVac
<b>Self Inductance:</b>	80nH
<b>Parallel Capacitance:</b>	40pF
<b>Capacitance to heatsink:</b>	< 110pF
<b>Overload:</b>	1kW x 10"
<b>Thermal resistance:</b>	0,115°C/W
<b>Heatsink flatness:</b>	0,05mm max
<b>Heatsink surface finish:</b>	6,3µm max
<b>Thermal grease:</b>	Required, $\lambda > 1W/mK$
<b>Max Torque for contacts:</b>	2Nm (static)
<b>Max Torque for mounting:</b>	2Nm (static)
<b>Weight:</b>	95g



**DIMENSIONS (mm)**



Connection and mounting screws are supplied with the resistor

# PR600

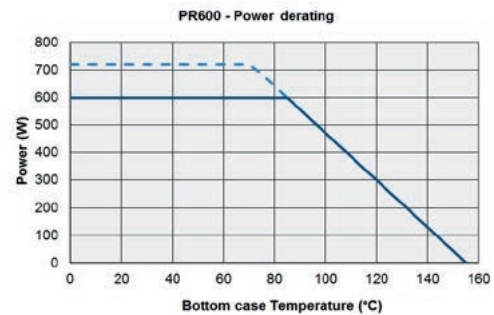
## THICK FILM POWER RESISTOR

Very good ratio Power / Volume  
 Easy mounting and wiring with significant cost advantages.  
 Non inductive performance for high frequency applications.  
 One model for power applications up to 720W  
 Materials are ULV94-V0 listed

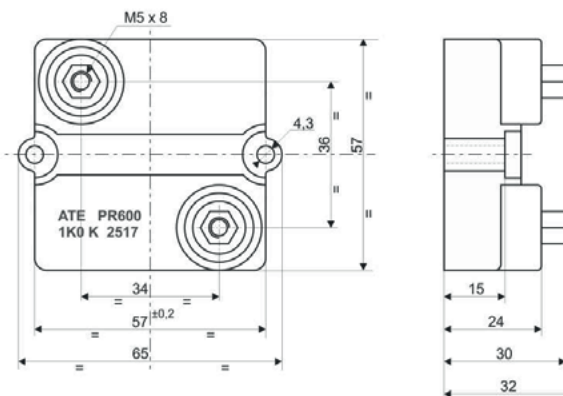


### SPECIFICATIONS

<b>Power rating:</b>	600W @ 85°C Bottom case Temperature For power greater than 600W please consult Technical Dept.
<b>Resistance Range:</b>	from 1R0 to 1M0
<b>Resistance Values:</b>	E12 series For out of range or not std. values, please contact ATE Electronics Technical Dept.
<b>Tolerance:</b>	Standard ±10%. Available on request up to ±1%
<b>Temperature coefficient:</b>	±150ppm/°C
<b>Work Temperature Range:</b>	from -55°C to +155°C
<b>Max Working Voltage:</b>	5kV, $V = \sqrt{P \times R}$
<b>Dielectric strength:</b>	7kVac x 60" (12kVac on request)
<b>Insulation resistance:</b>	> 10 <sup>5</sup> MOhm at 500V
<b>Creep distance:</b>	42mm
<b>Air Gap distance:</b>	16mm
<b>Partial Discharge:</b>	< 10pC @ 5kVac
<b>Self Inductance:</b>	80nH
<b>Parallel Capacitance:</b>	40pF
<b>Capacitance to heatsink:</b>	< 110pF
<b>Overload:</b>	1kW x 10"
<b>Thermal resistance:</b>	0,115°C/W
<b>Heatsink flatness:</b>	0,05mm max
<b>Heatsink surface finish:</b>	6,3µm max
<b>Thermal grease:</b>	Required, $\lambda > 1W/mK$
<b>Max Torque for contacts:</b>	2Nm (static)
<b>Max Torque for mounting:</b>	2Nm (static)
<b>Weight:</b>	95g



### DIMENSIONS (mm)



Connection and mounting screws are supplied with the resistor

