

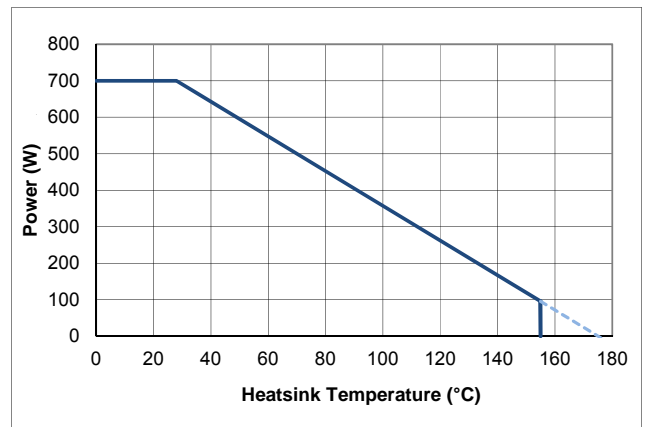


**FEATURES**

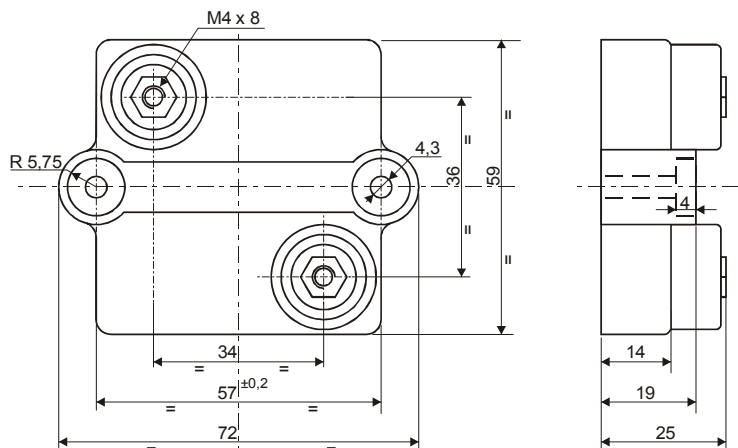
Very good ratio Power/Volume.  
Easy mounting and wiring with significant cost advantages.  
Non inductive performance for high frequency applications.  
Suited to UL94-V0 application.

**SPECIFICATIONS**

<b>Power rating:</b>	500W at 70°C heatsink temperature
<b>Resistance Value:</b>	1R0 ÷ 18R
<b>Tolerance:</b>	Standard ±10%
<b>Temperature coefficient:</b>	±50ppm/°C
<b>Working temperature range:</b>	-55°C to +155°C
<b>Dielectric strength:</b>	7 kVac
<b>Insulation resistance:</b>	>10Gohm at 500V
<b>Creeping distance:</b>	42mm
<b>Air gap distance:</b>	16mm
<b>Partial discharge:</b>	on request
<b>Self inductance:</b>	380nH (10R)
<b>Parallel capacitance:</b>	-
<b>Capacitance/Ground:</b>	< 120pF
<b>Overload:</b>	1kW x 10s
<b>Pulse energy:</b>	25J x 1,2/50µs
<b>Thermal resistance:</b>	0,20°C/W
<b>Heatsink flatness:</b>	±0,05mm Max
<b>Heatsink surface finish:</b>	6,3µm Max
<b>Thermal grease:</b>	required with high thermal conductivity
<b>Maximum torque contacts:</b>	2Nm (static)
<b>Maximum torque mounting:</b>	2Nm (static)
<b>Weight:</b>	105g



**DIMENSIONS (mm)**



Connection and mounting screws supplied with the resistor